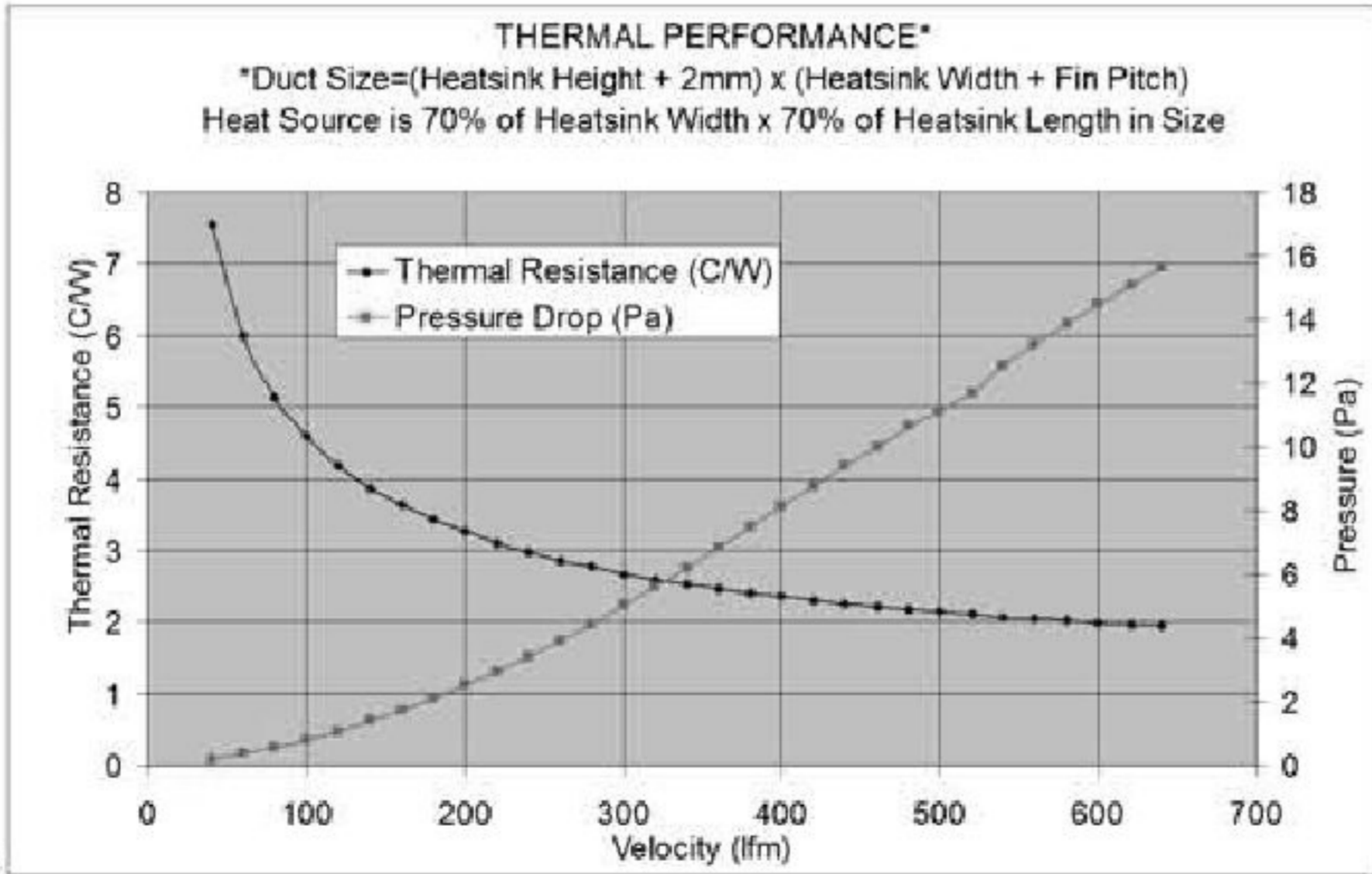
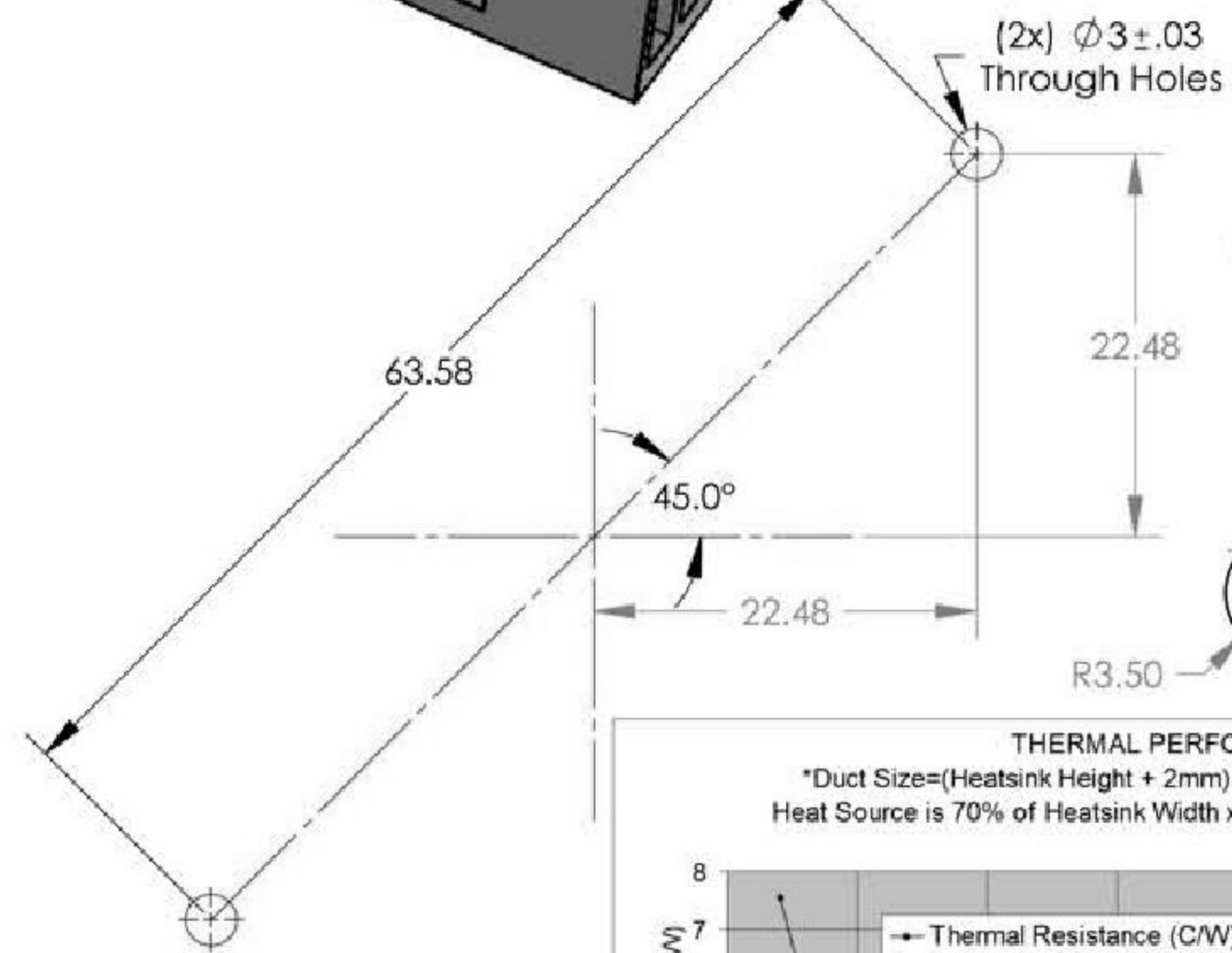
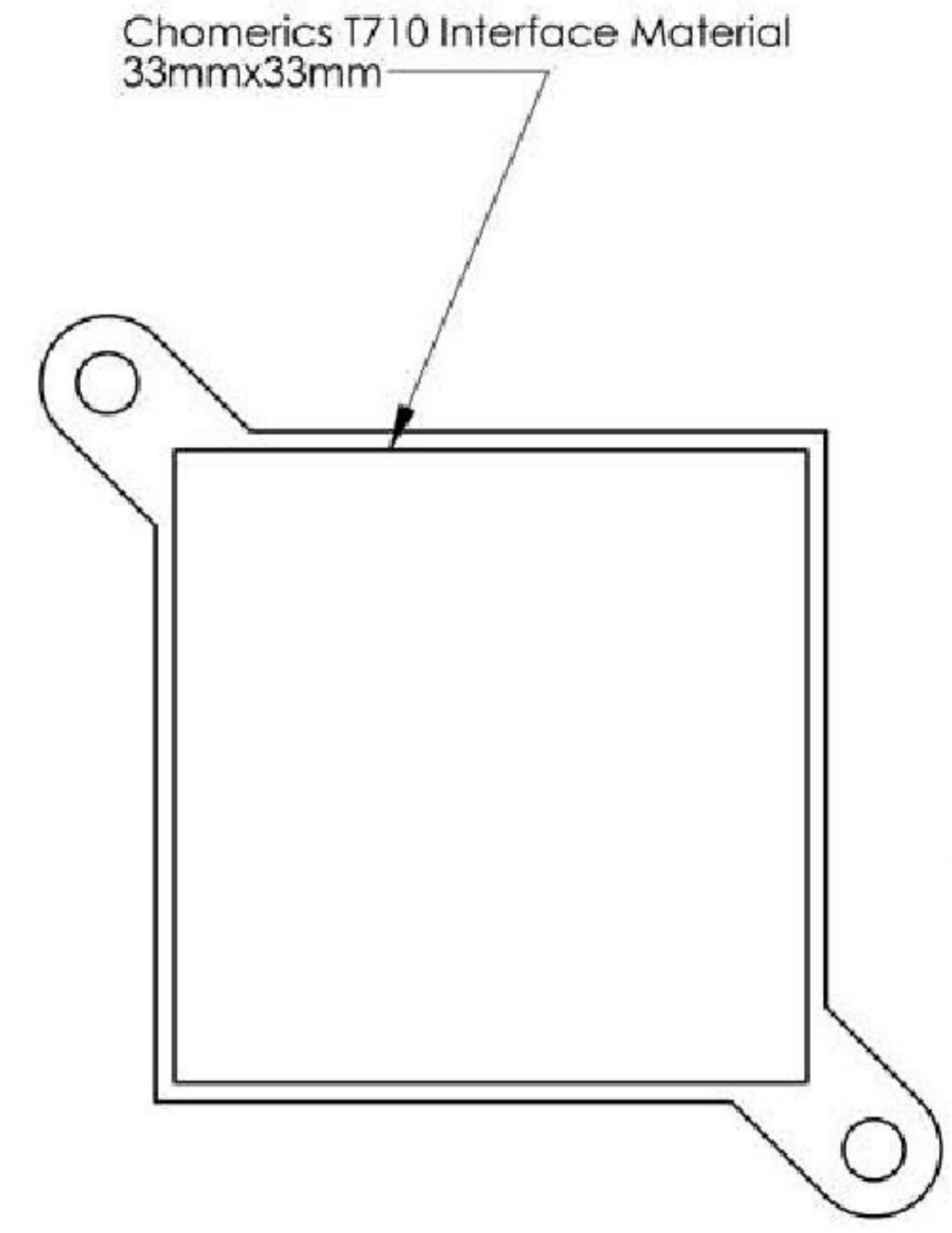
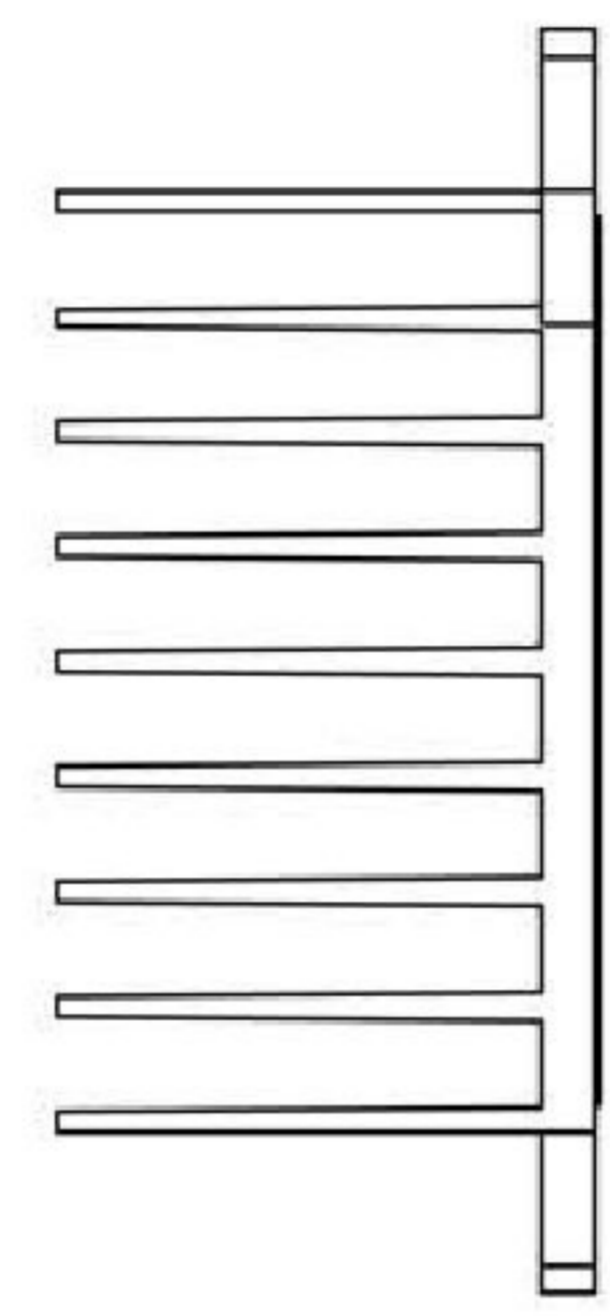
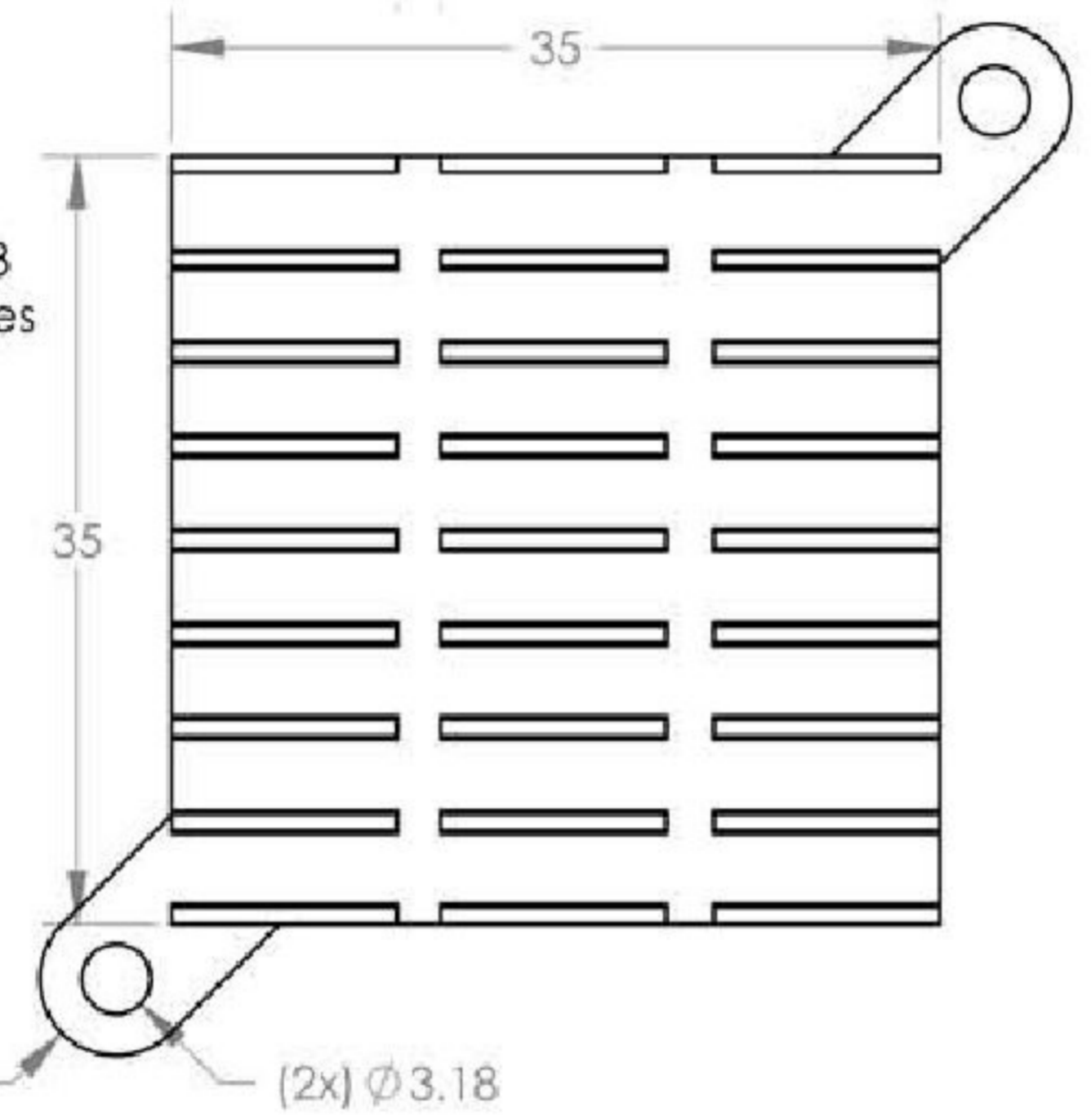
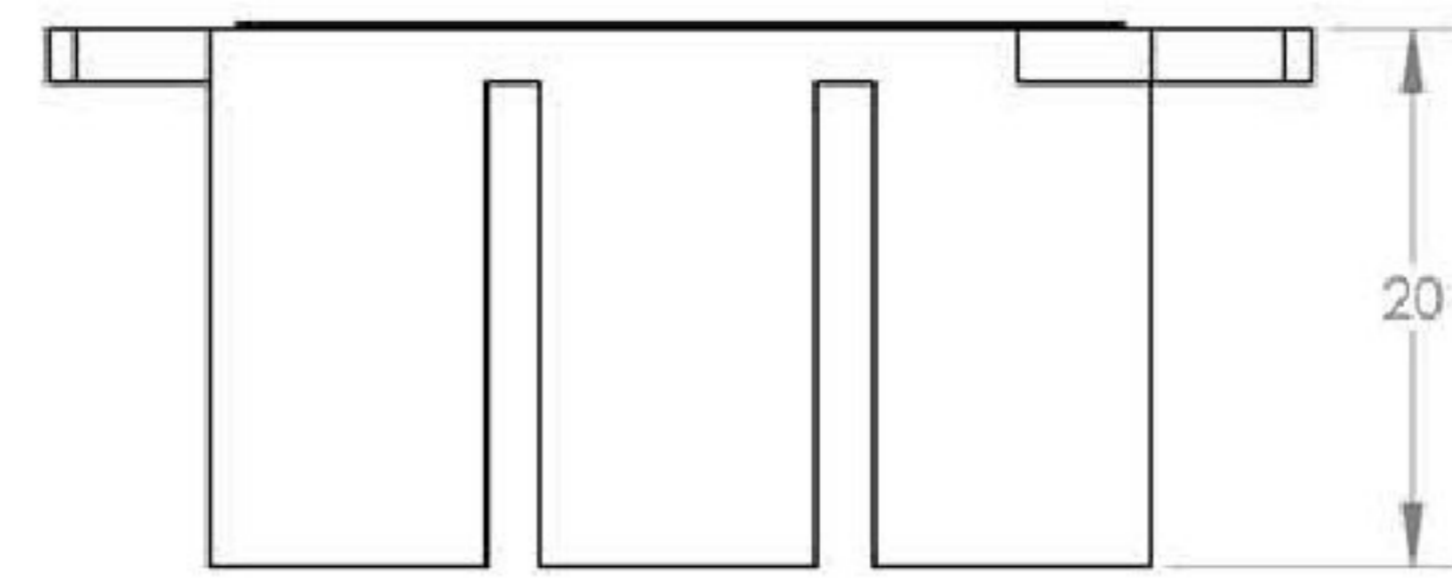
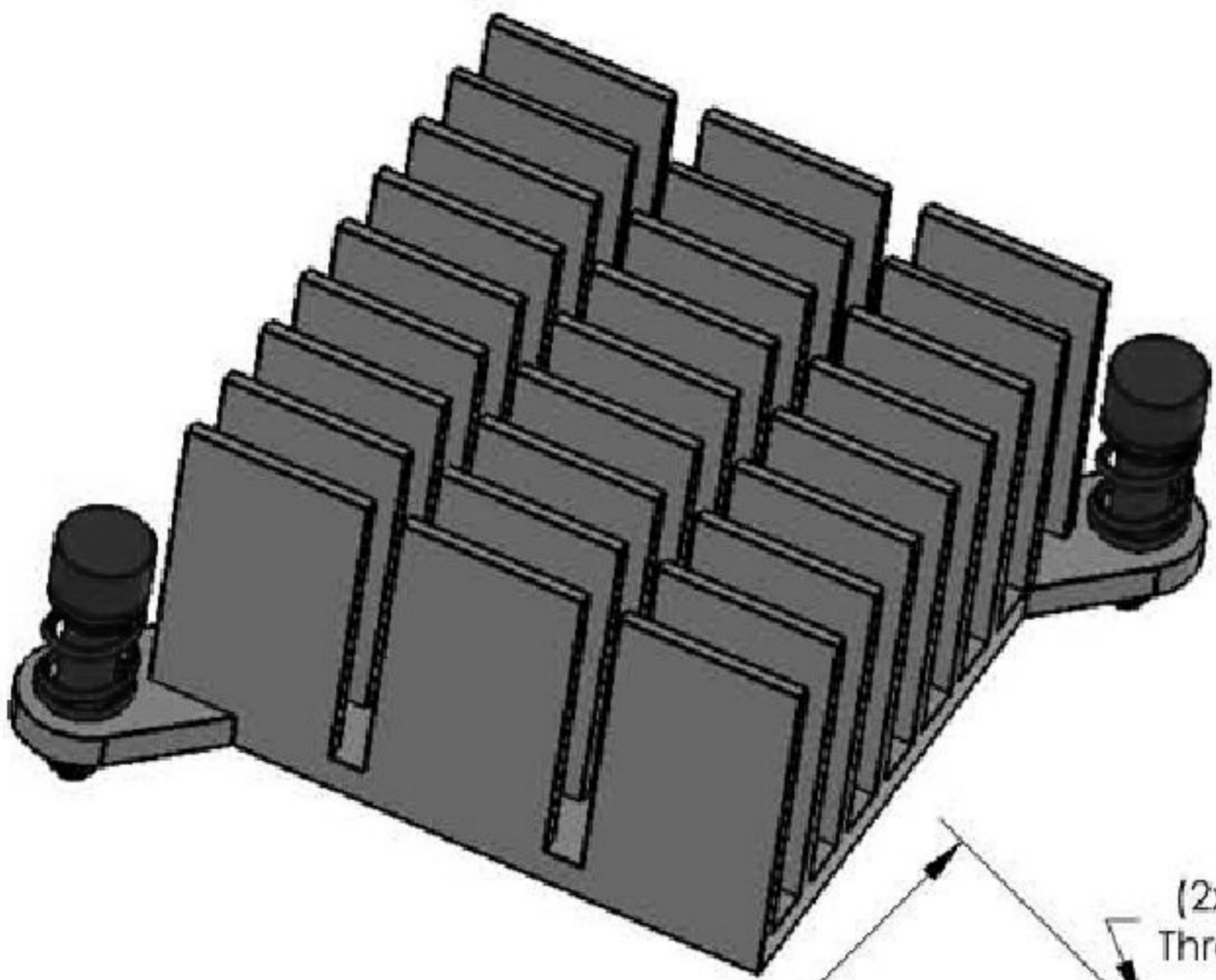


REVISION HISTORY				
REV	ECO	DESCRIPTION	DATE	APPROVED
-	-	-	-	-



- NOTES:
1. MATERIAL: ALUMINUM 6063-T5
 2. FINISH: BLACK ANODIZE
 3. ALL TOLERANCES APPLY AFTER FINISHING.
 4. REMOVE BURRS AND BREAK SHARP EDGES.

UNLESS OTHERWISE SPECIFIED DIMENSIONS ARE IN mm TOLERANCE ARE: DECIMALS FRACTIONS ANGLES 0-6mm±.10 6-17mm±.15 17-30mm±.20	DO NOT SCALE THIS DRAWING	
	APPROVALS	DATE
REMOVE BURRS & SHARP EDGES	DRAWN E.T.	04/20/2010
ALL MACHINED SURFACES 32°	CHECKED E.T.	04/20/2010
MATERIAL	RESP ENG	
FINISH	MFG ENG	
	QUAL ENG	
THE INFORMATION CONTAINED IN THIS DRAWING IS THE SOLE PROPERTY OF COOLING SOURCE CORPORATION. ANY REPRODUCTION IN PART OR WHOLE WITHOUT THE WRITTEN PERMISSION OF COOLING SOURCE CORPORATION IS PROHIBITED.		

Cooling Source
THERMAL

SIZE	DWG NO.	REV
B	CS8673520B1A	A
SCALE: 3: 2		SHEET: 1 OF 1