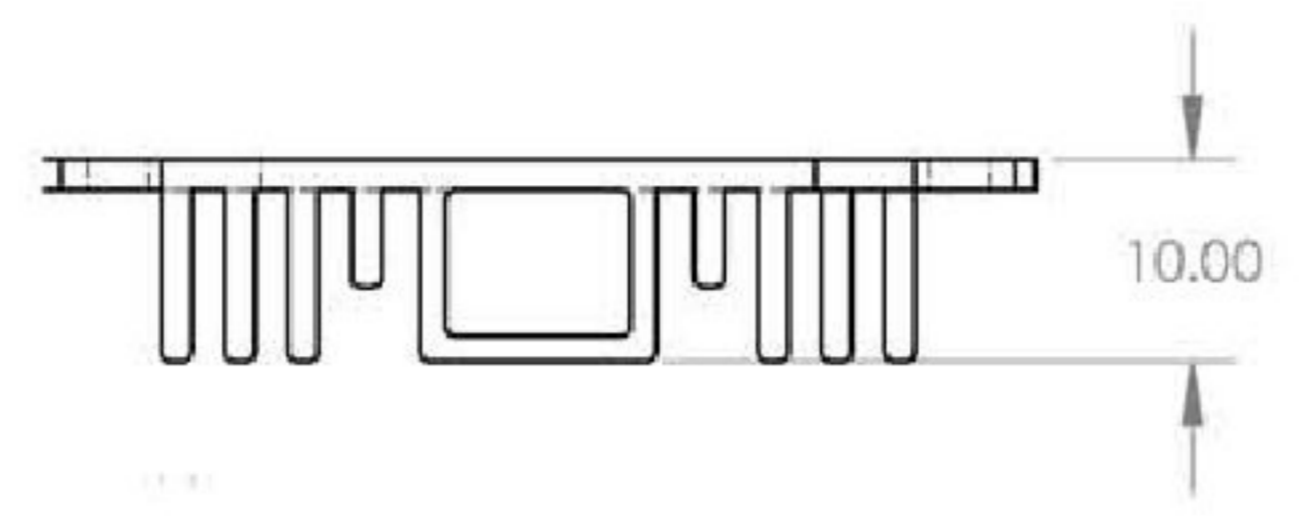
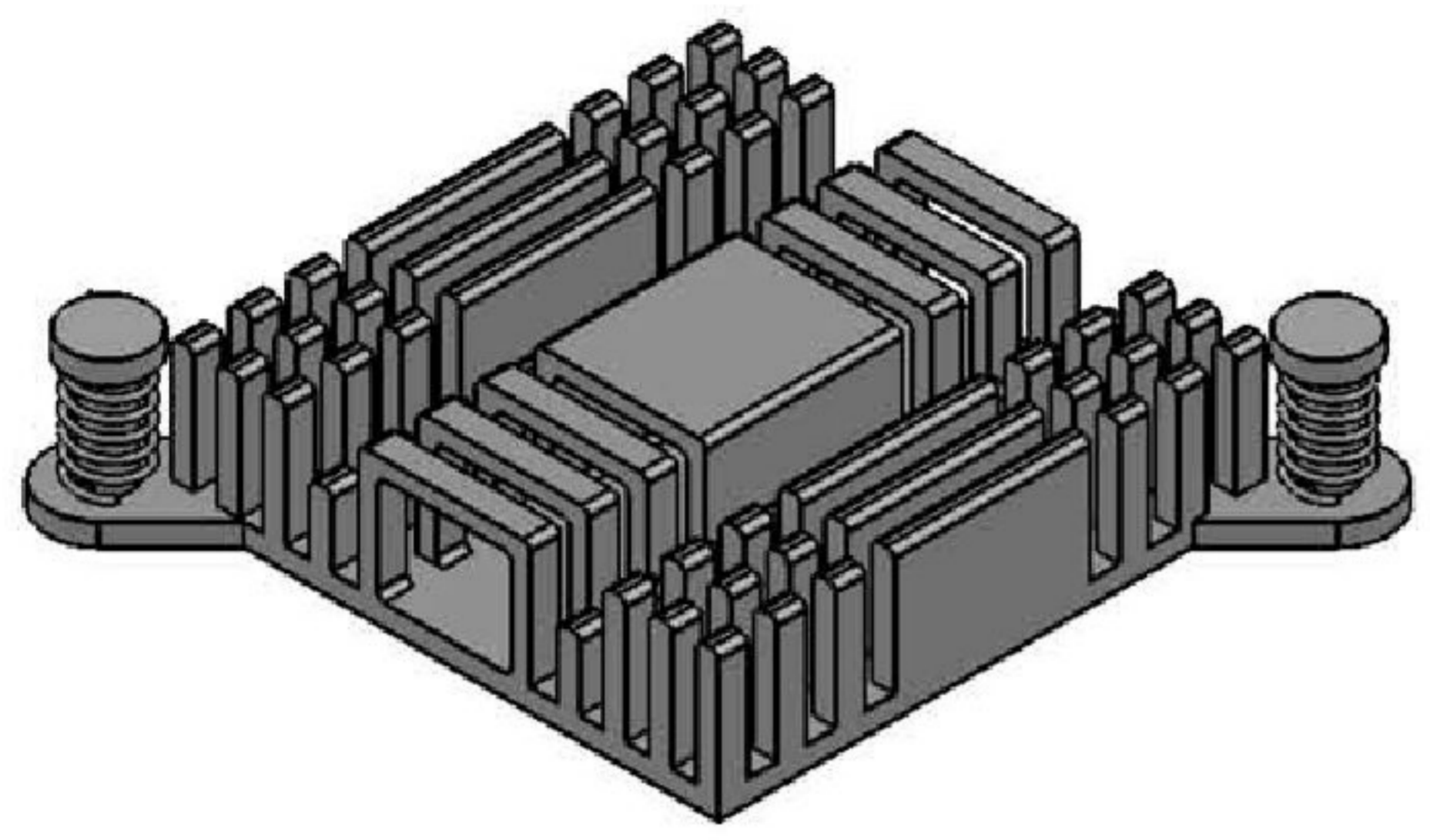
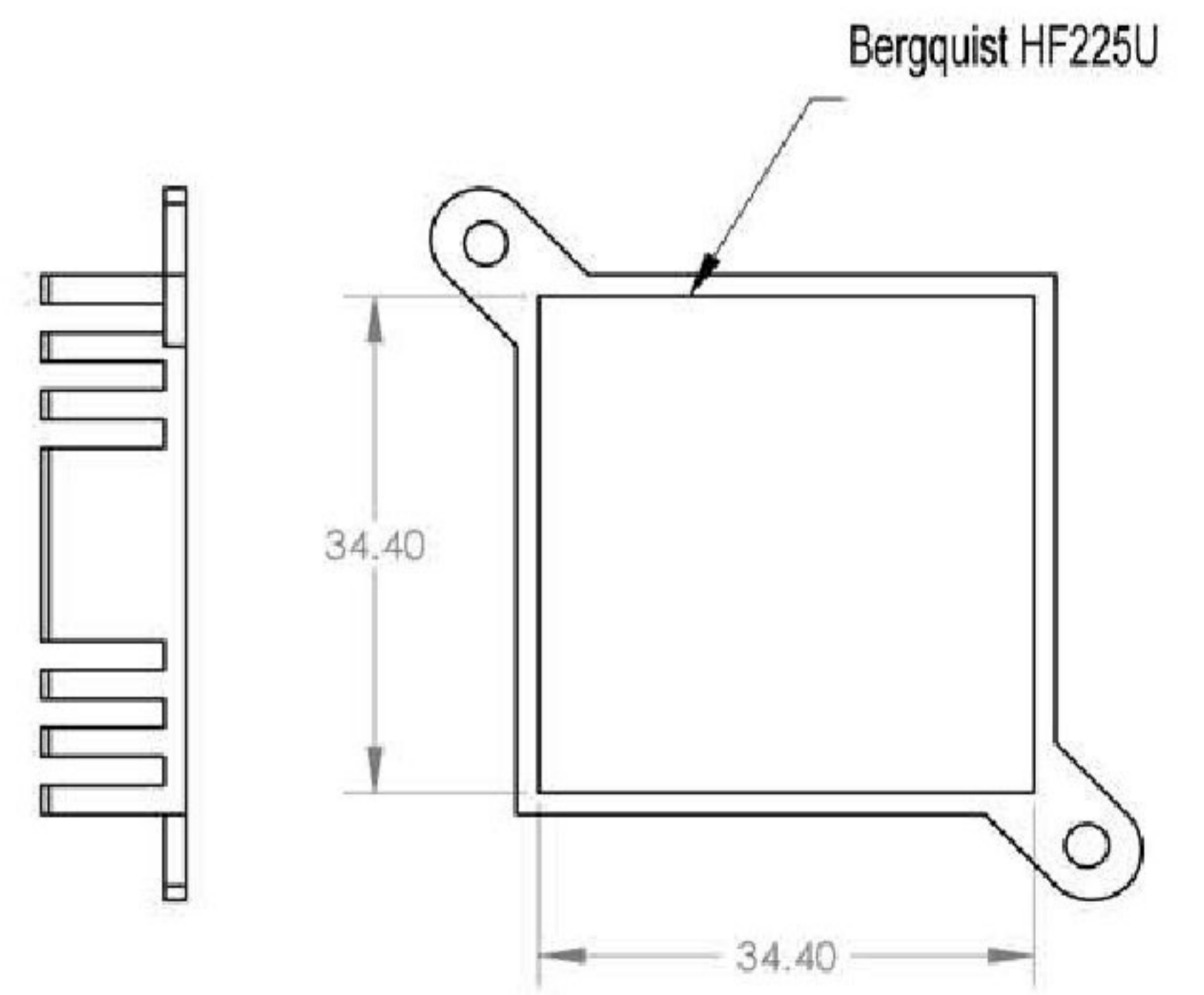
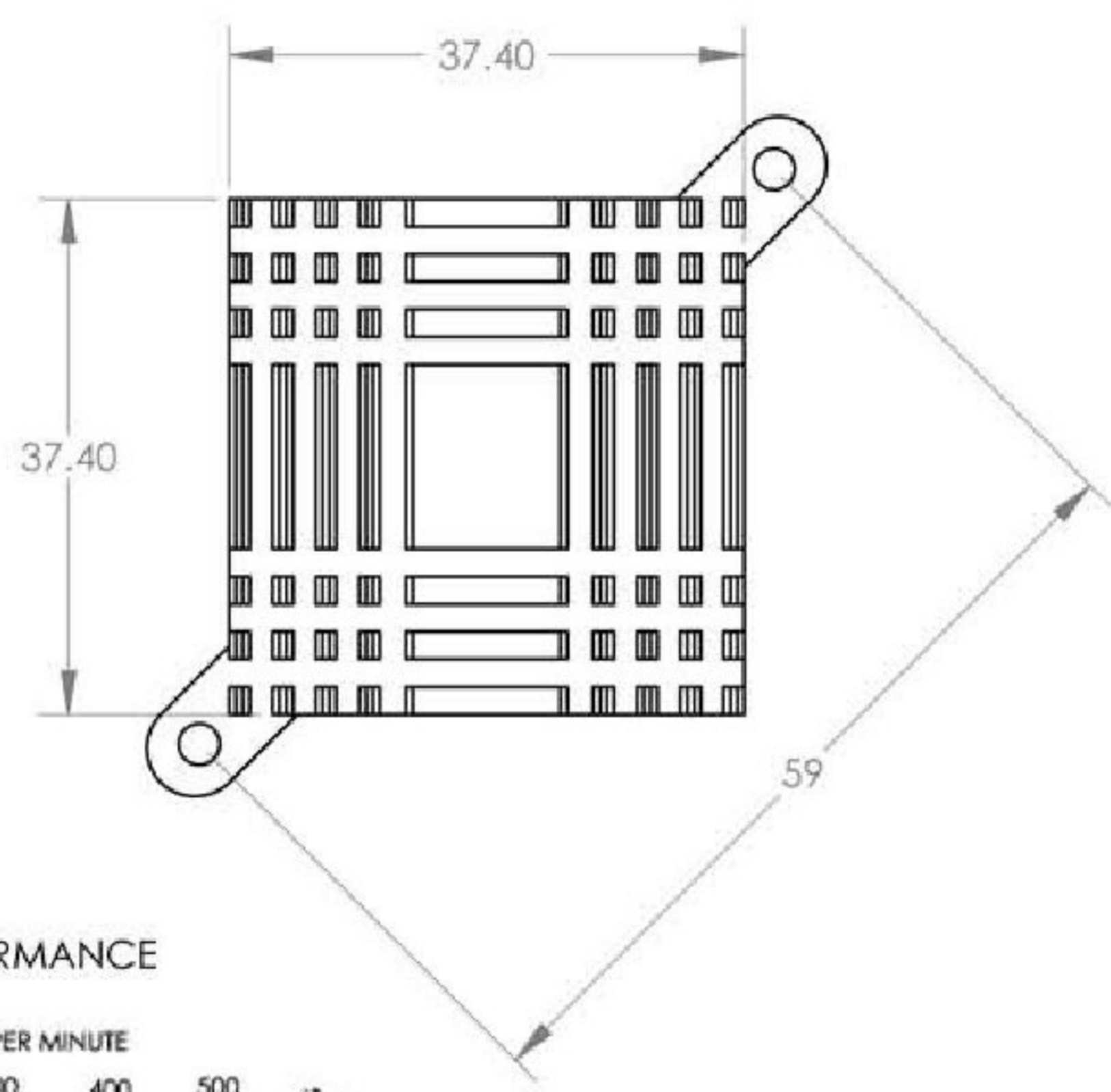
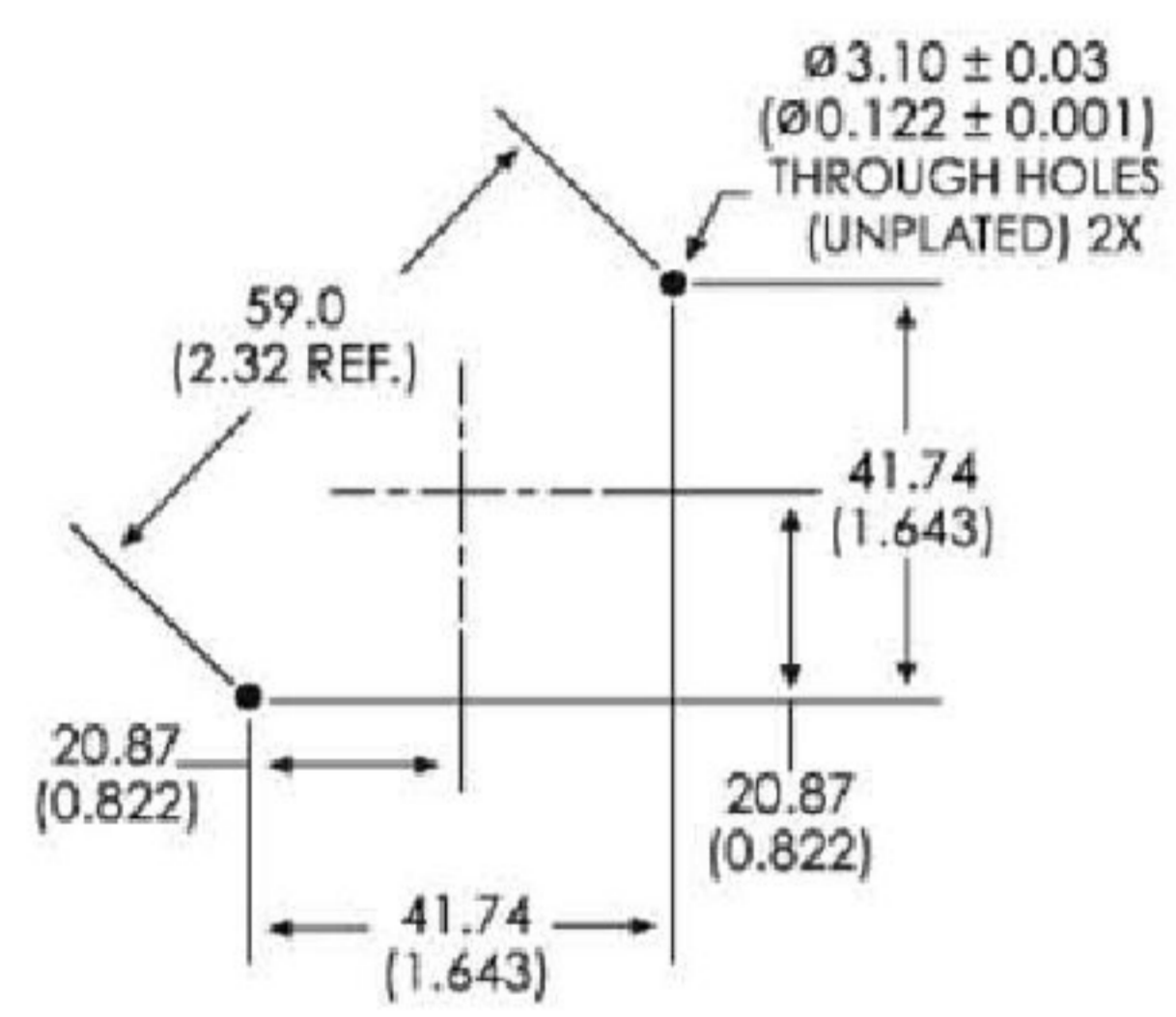


REVISION HISTORY				
REV	ECO	DESCRIPTION	DATE	APPROVED
-	-	-	-	-

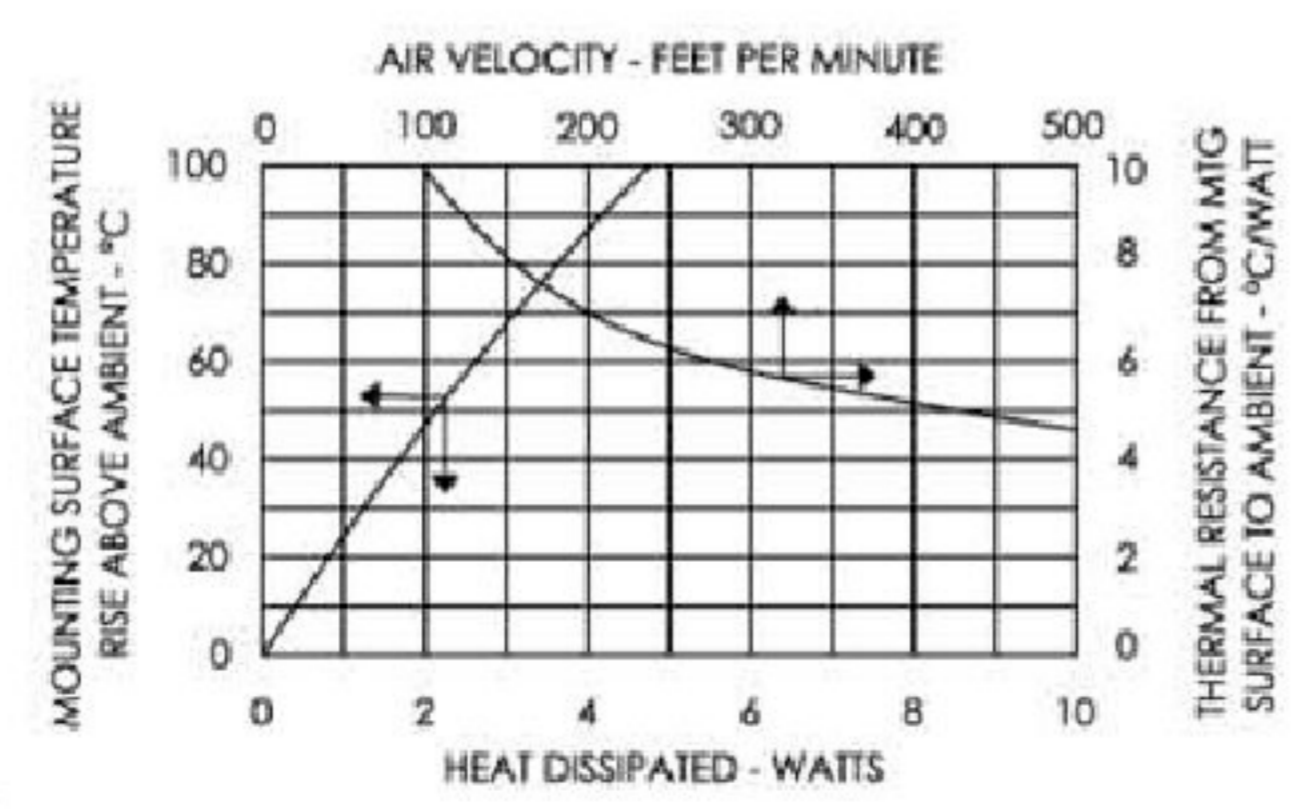


RECOMMENDED PCB HOLE PATTERN



RoHS  Compliant

THERMAL PERFORMANCE



- NOTES:
1. MATERIAL: Aluminum 6063-T5
  2. FINISH: BLACK ANODIZE.
  3. ALL TOLERANCES APPLY AFTER FINISHING.
  4. REMOVE BURRS AND BREAK SHARP EDGES.
  5. IDENTIFY PART BY BAG AND OR BOX MARKED WITH THE PART NUMBER AND REVISION. DO NOT MARK PART.

UNLESS OTHERWISE SPECIFIED DIMENSIONS ARE IN mm TOLERANCE ARE:			DO NOT SCALE THIS DRAWING	
DECIMALS	FRACTIONS	ANGLES	APPROVALS	DATE
.X ± .10		±.5°	DRAWN E.T. and K.Z.	03/03/2010
.XX ± .05			CHECKED E.T.	03/03/2010
REMOVE BURRS & SHARP EDGES			RESP'NG	
ALL MACHINED SURFACES			MFG'NG	
MATERIAL Aluminum 6063-T5			QUAL'NG	
FINISH Black Anodize			<small>THE INFORMATION CONTAINED IN THIS DRAWING IS THE SOLE PROPERTY OF COOLING SOURCE CORPORATION. ANY REPRODUCTION IN PART OR WHOLE WITHOUT THE WRITTEN PERMISSION OF COOLING SOURCE CORPORATION IS PROHIBITED.</small>	

Cooling Source Confidential



SIZE	DWG NO.	REV
<b>B</b>	<b>CS8673710B1A</b>	<b>A</b>
SCALE: 3: 2		SHEET: 1 OF 1