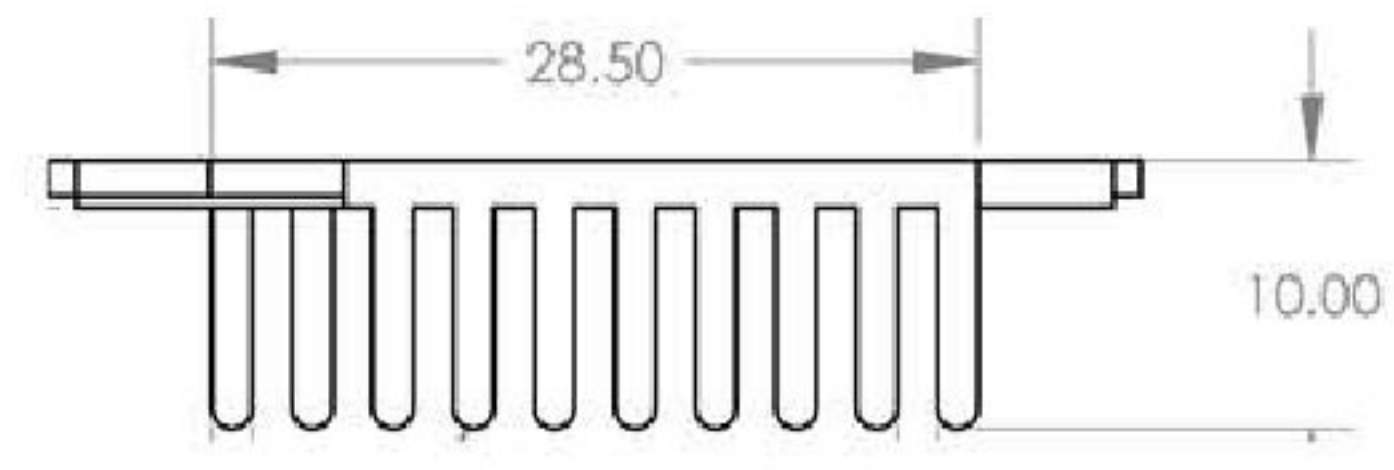
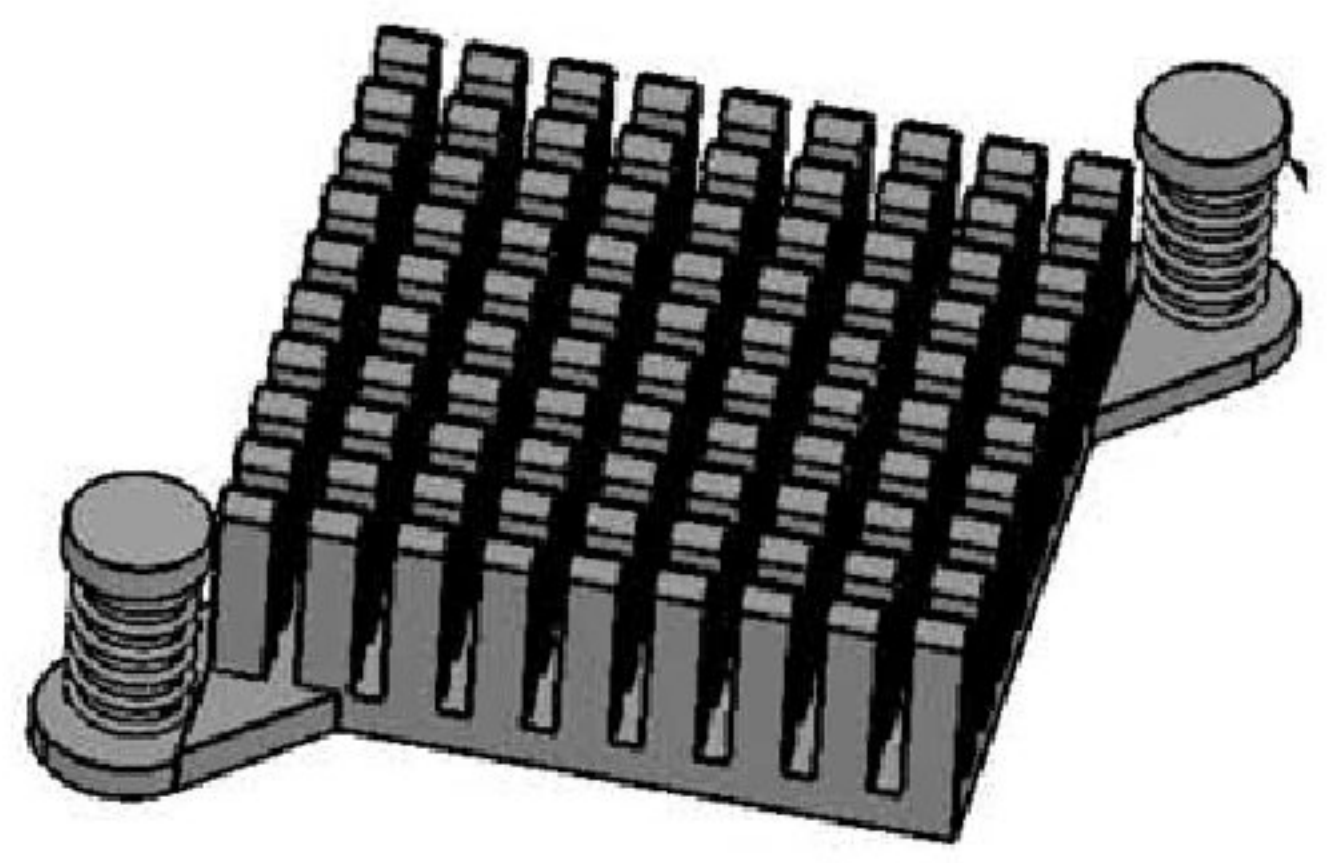
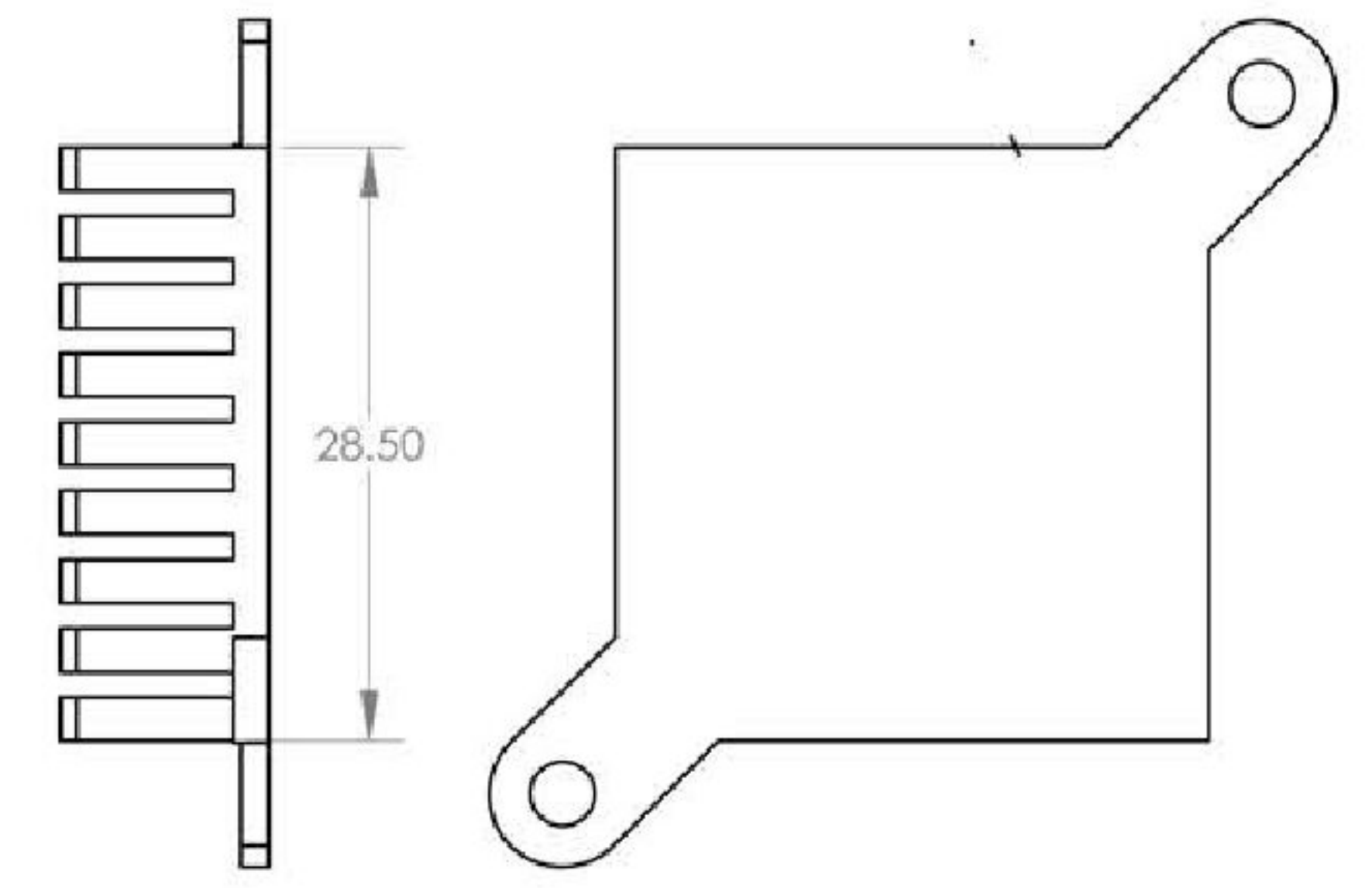
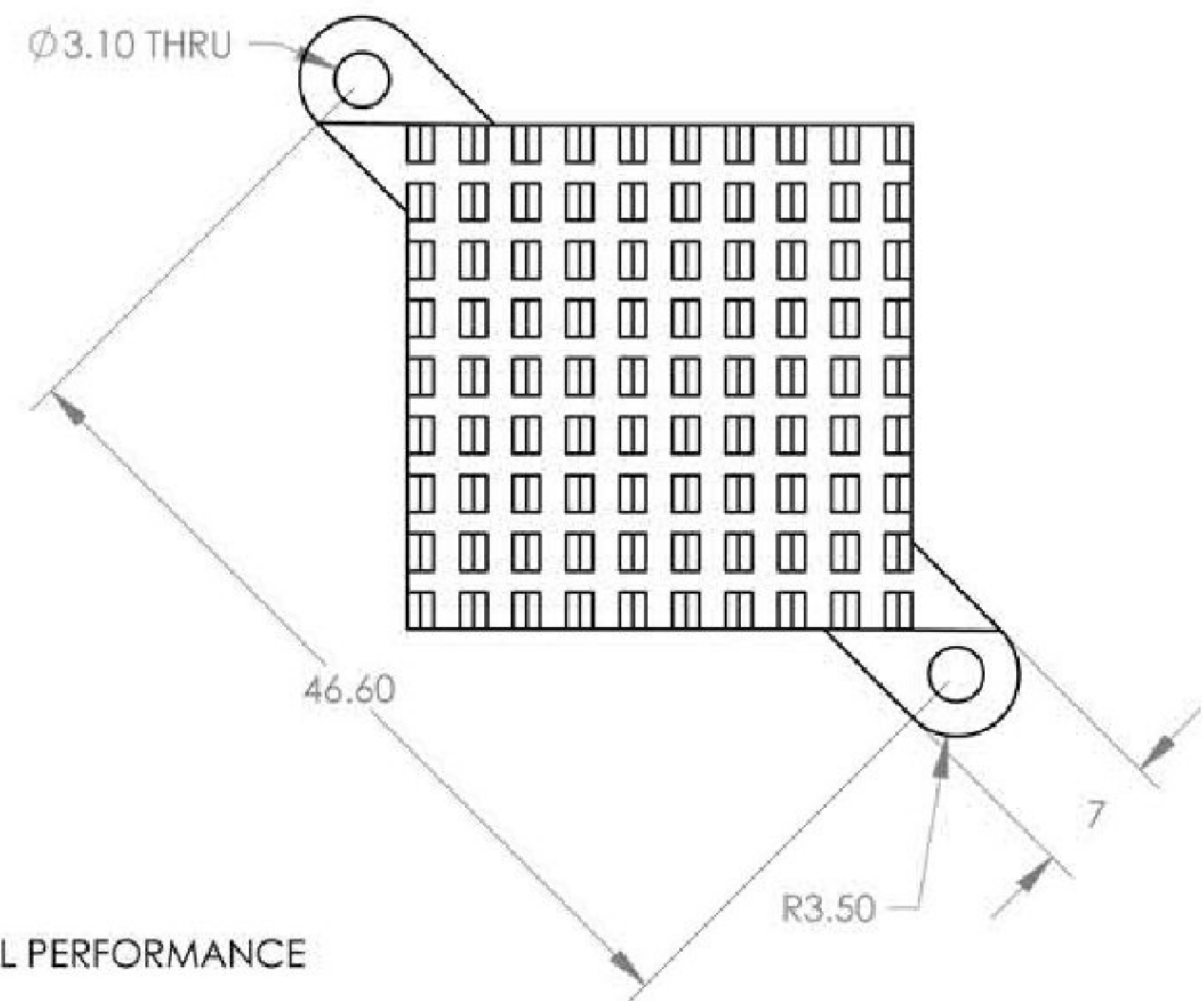
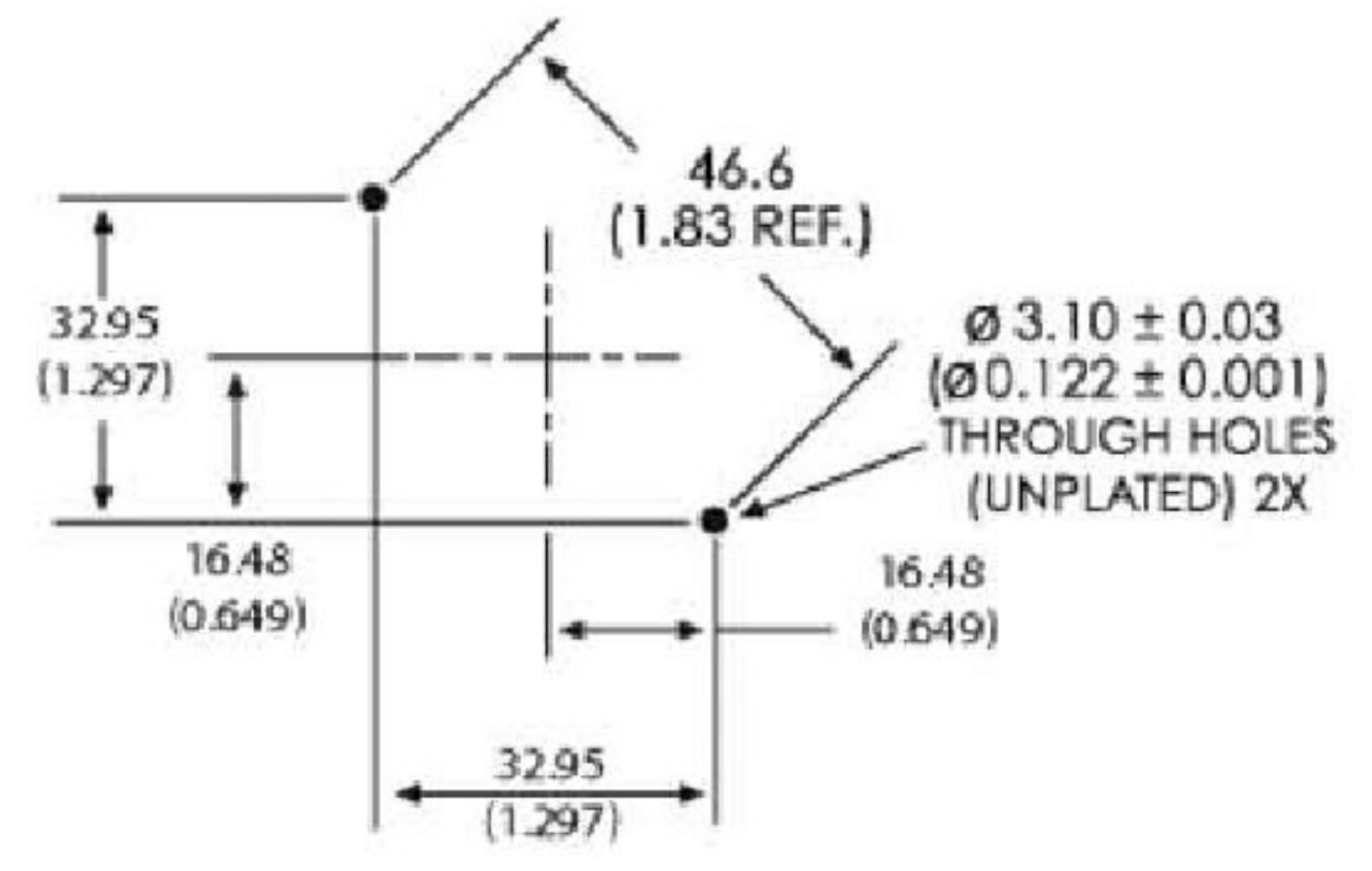


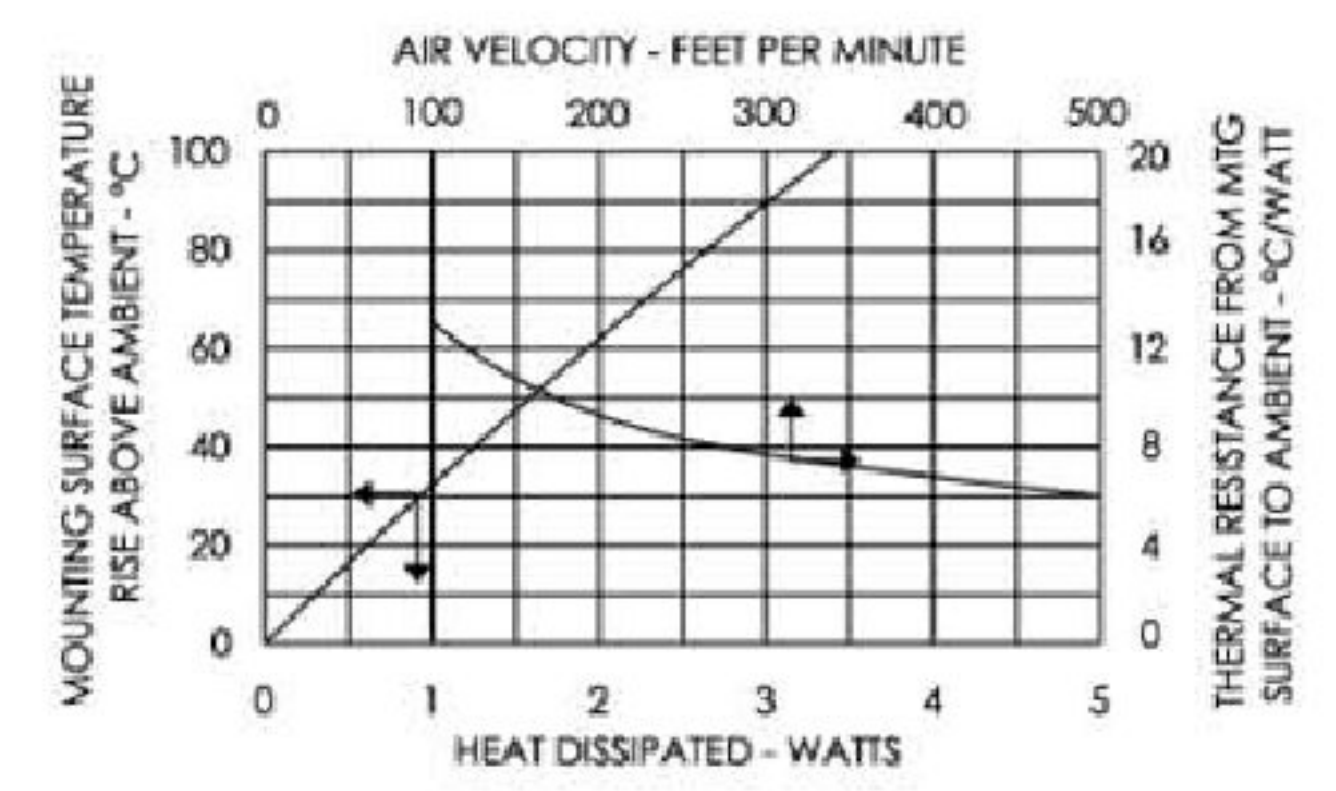
REVISION HISTORY				
REV	ECO	DESCRIPTION	DATE	APPROVED
-	-	-	-	-



RECOMMENDED PCB HOLE PATTERN



THERMAL PERFORMANCE



RoHS Compliant

NOTES:

1. MATERIAL: Aluminum 6063-T5
2. FINISH: BLACK ANODIZE.
3. ALL TOLERANCES APPLY AFTER FINISHING.
4. REMOVE BURRS AND BREAK SHARP EDGES.
5. IDENTIFY PART BY BAG AND OR BOX MARKED WITH THE PART NUMBER AND REVISION. DO NOT MARK PART.

UNLESS OTHERWISE SPECIFIED DIMENSIONS ARE IN mm TOLERANCE ARE:	DO NOT SCALE THIS DRAWING	
	APPROVALS	DATE
DECIMALS .X ± .10 .XX ± .05	FRACTIONS	ANGLES ±.5°
REMOVE BURRS & SHARP EDGES	RESP ENG	
ALL MACHINED SURFACES	MFG ENG	
MATERIAL Aluminum 6063-T5	QUAL ENG	
FINISH Black Anodize	THE INFORMATION CONTAINED IN THIS DRAWING IS THE SOLE PROPERTY OF COOLING SOURCE CORPORATION. ANY REPRODUCTION IN PART OR WHOLE WITHOUT THE WRITTEN PERMISSION OF COOLING SOURCE CORPORATION IS PROHIBITED.	

Cooling Source
THERMAL

SIZE B	DWG NO. CS8672810BA	REV B
SCALE: 3: 2		SHEET: 1 OF 1