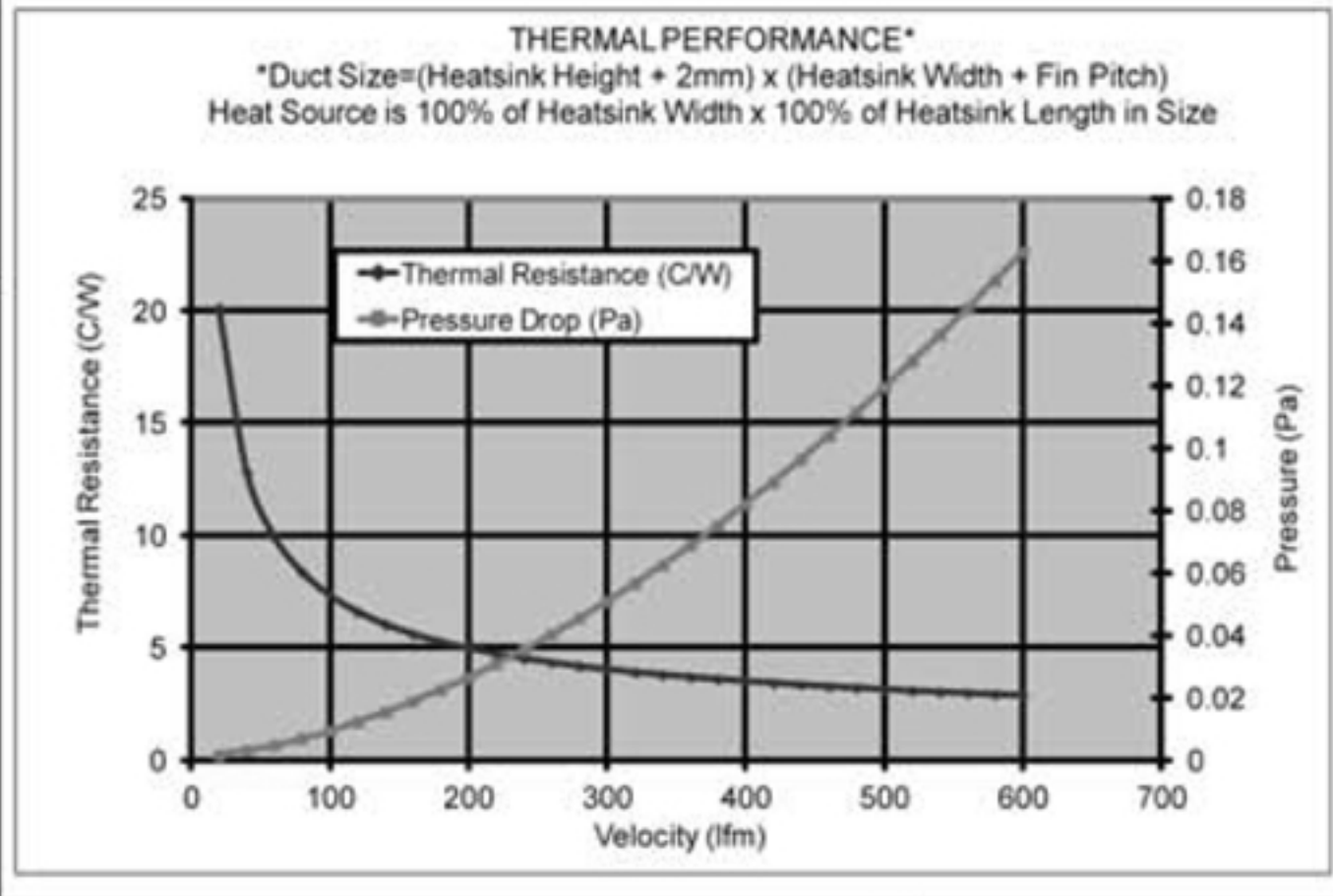
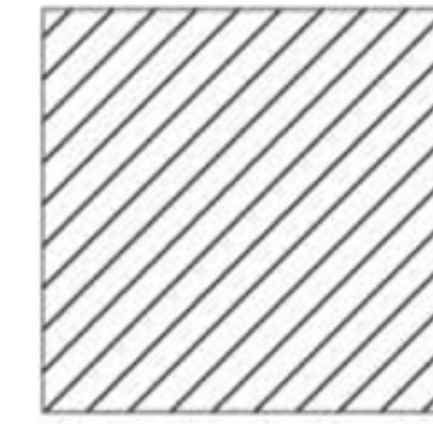
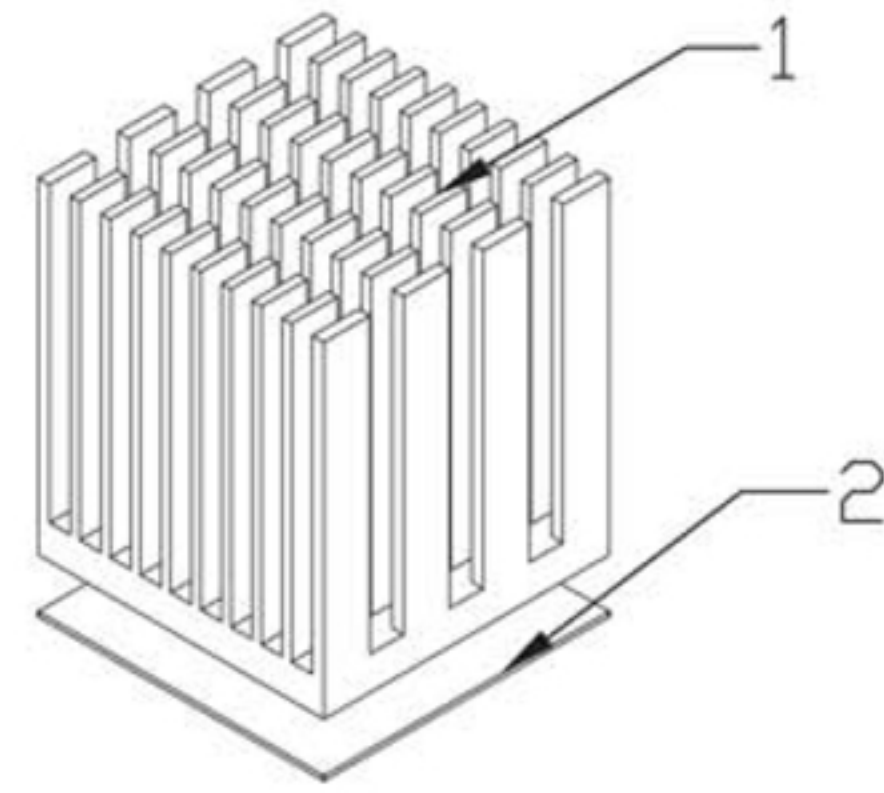
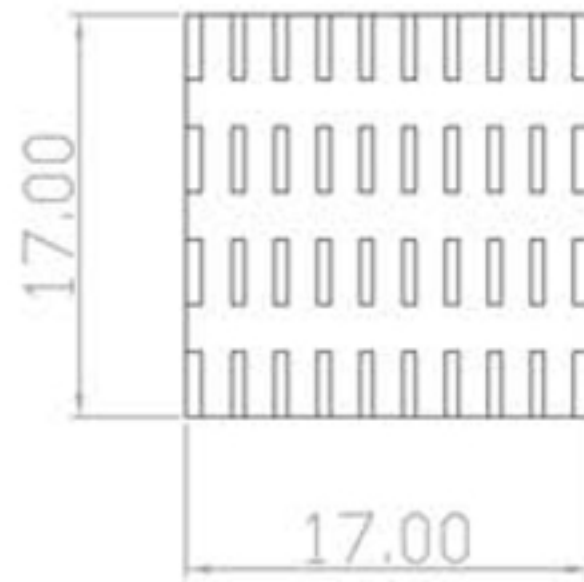
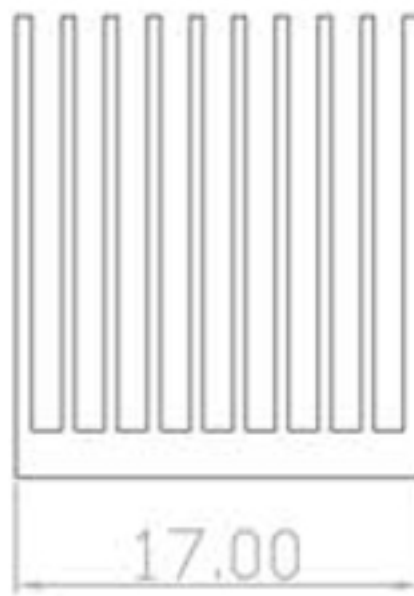


REV	DESCRIPTION	DATE	ORIGINATOR	APPROVED
A	--	--	--	--



ITEM	DESCRIPTION	QTY	DIMENSION	MATERIAL	FINISH/COLOR
2	PAD	1	17.0mm x 17.0mm	T412	N/A
1	HEATSINK	1	17.0*17.0*19.5mm	AL6063-T5	Black anodized

ALL DIMENSIONS ARE IN mm

UNLESS NOTED OTHERWISE
 TOLERANCES:
 LINEAR X ± 0.5
 X ± 0.3
 .XX ± 0.20
 ANGULAR ± 10°
 DO NOT SCALE DRAWING

CONCENTRICITY = 0.05 TIR
 $16\sqrt{\quad} = 1.6\mu\text{m}$ FINISH
 ALL THREADS CLASS 2
 PERPENDICULARITY & PARALLELISM
 0.1 REMOVE SHARP EDGES AND BURRS

THIRD ANGLE PROJECTION

FINISH	CoolingSource			
N/A				
DRAWN BY	MATERIAL	NAME:		
Mary.Zhang	See Chart	See Chart		
CHECKED BY	CUSTOMER PART NUMBER	DWG SIZE	CUS REV	CS REV
Mary.Zhang	N/A	A4	A	A
APPROVED BY	CS PART NUMBER	SHEET	SCALE	DATE
Michel Gelinat	CS9461719BMA	1 of 1	1:1	05-11-2013