

4

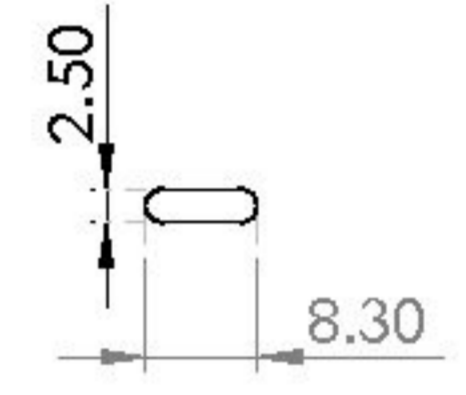
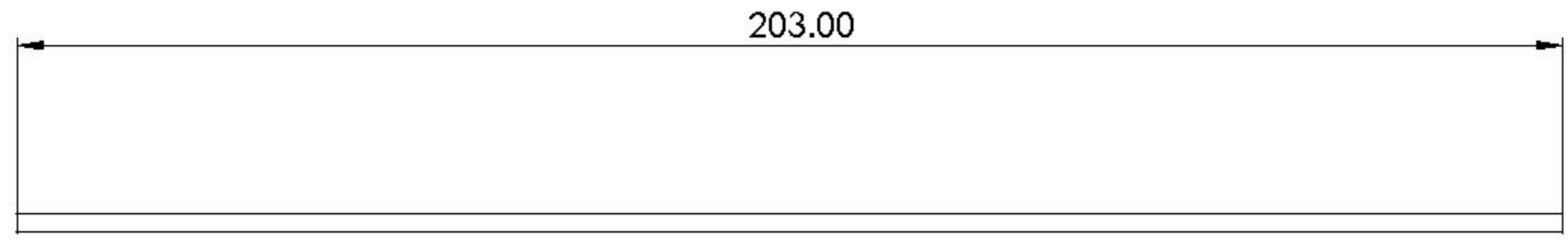
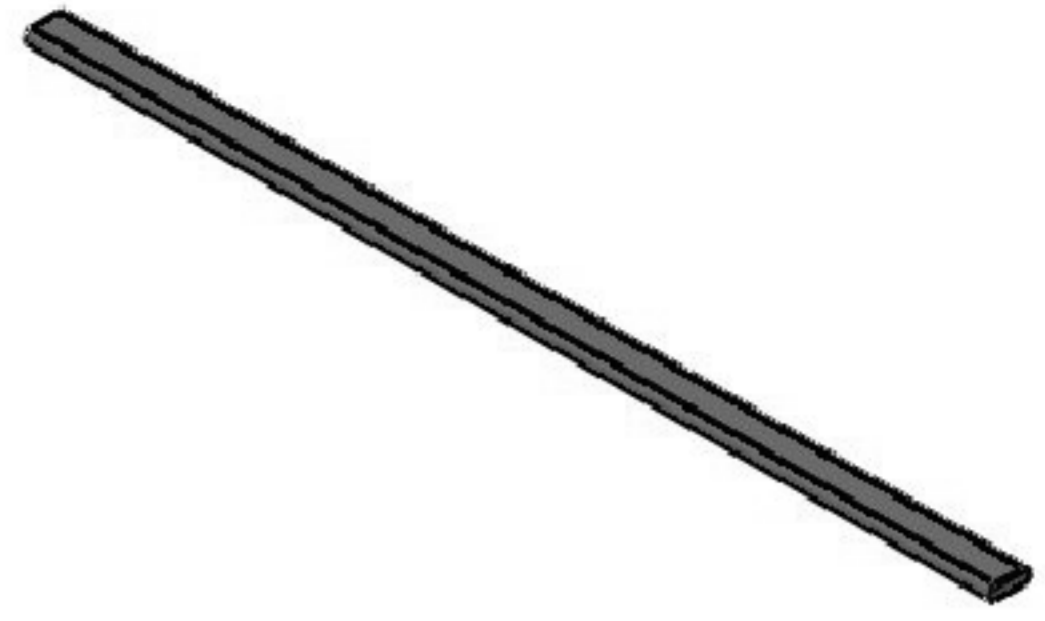
3

2

1

NOTE: UNLESS OTHERWISE SPECIFIED

- 1. MATERIAL: COPPER
- 2. Wick Structure: Sintered
- 3. Working Fluid: Water



B

B

A


A

4

3

2

1

UNLESS OTHERWISE SPECIFIED: DIMENSIONS ARE IN INCHES TOLERANCES: ANGULAR: $\pm 1^\circ$ BEND \pm .X \pm .1 .XX \pm .01 .XXX \pm .005	DRAWN	NAME	DATE	 ERMORE CALIFORNIA	
	CHECKED				
	ENG APPR.				
INTERPRET GEOMETRIC TOLERANCING PER ASME Y14.5-2009	PROPRIETARY AND CONFIDENTIAL THE INFORMATION CONTAINED IN THIS DRAWING IS THE SOLE PROPERTY OF COOLING SOURCE. ANY REPRODUCTION IN PART OR AS A WHOLE WITHOUT THE WRITTEN PERMISSION OF COOLING SOURCE IS PROHIBITED.			6X203mm Flat Heat Pipe	
DO NOT SCALE DRAWING	SIZE B	CS400-6203-F-OA	REV	SCALE: 1:2	SHEET 1 OF 1