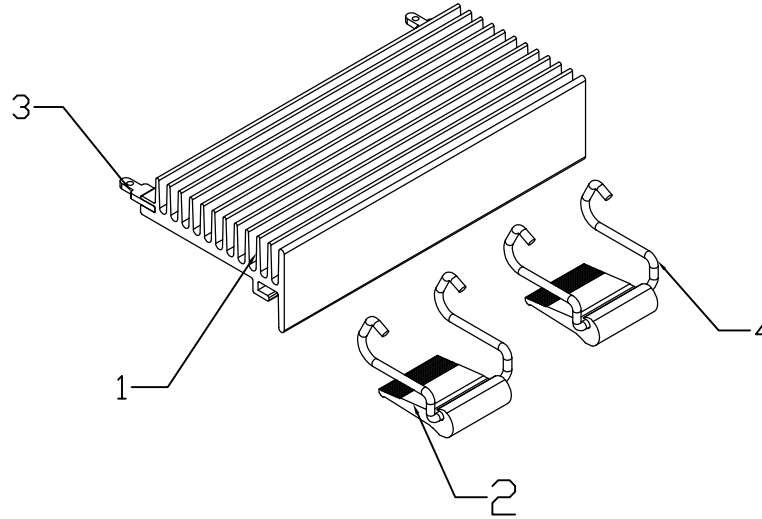
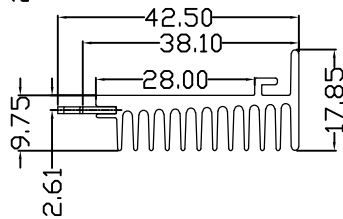
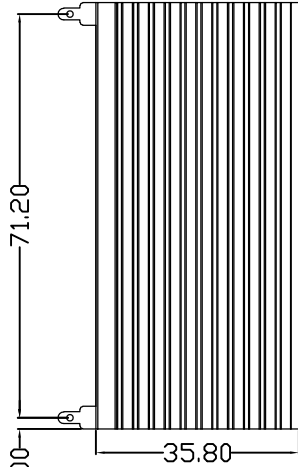
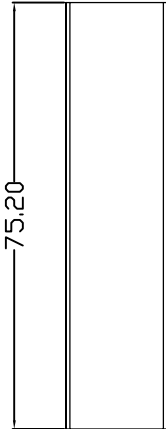


REV	DESCRIPTION	DATE	ORIGINATOR	APPROVED
A	--	--	--	--



ITEM	DESCRIPTION	QTY	DIMENSION	MATERIAL	FINISH/COLOR	PRE
4	线扣	2	ø1.5	SWC	镀镍	
3	PIN2	2	ø0.81*ø5.79*L8.31	SPCC	环保铜底镍	YY-12014-PIN2
2	PIN1	2	ø7.0*L18.75*H2.5	AL6063-T5	BLACK ANODIZE	YY-13013
1	HEATSINK	1	35.8*75.2*17.85	AL6063-T5	BLACK ANODIZE	VT011K-13013

ALL DIMENSIONS ARE IN mm		FINISH		Cooling Source [®] THERMAL		
UNLESS NOTED OTHERWISE TOLERANCES: LINEAR ± 0.15		N/A		DRAWN BY Mary.Zhang		
ANGULAR ± 1.0°		CONCENTRICITY = 0.05 TIR 16√ = 1.6μm FINISH		MATERIAL See Chart		
DO NOT SCALE DRAWING		THIRD ANGLE PROJECTION		NAME: See Chart		
		ALL THREADS CLASS 2 PERPENDICULARITY & PARALLELISM 0.1 REMOVE SHARP EDGES AND BURRS		CHECKED BY Mary.Zhang		
				CUSTOMER PART NUMBER N/A		
				DWG SIZE A4		
				CUS REV --		
				CS REV A		
				APPROVED BY Michel Gelinas		
				CS PART NUMBER CSBL-110-BA-00		
				SHEET 5 of 5		
				SCALE 1:1		
				DATE 2012-11-20		