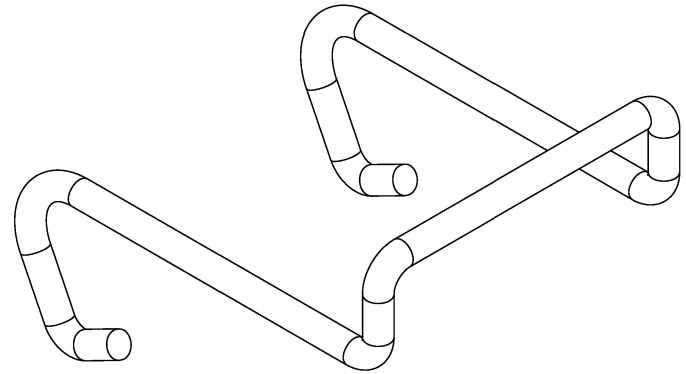
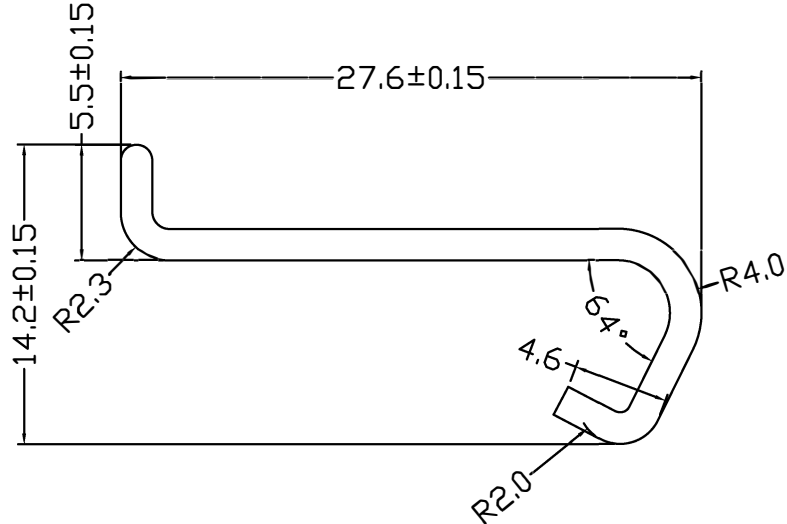
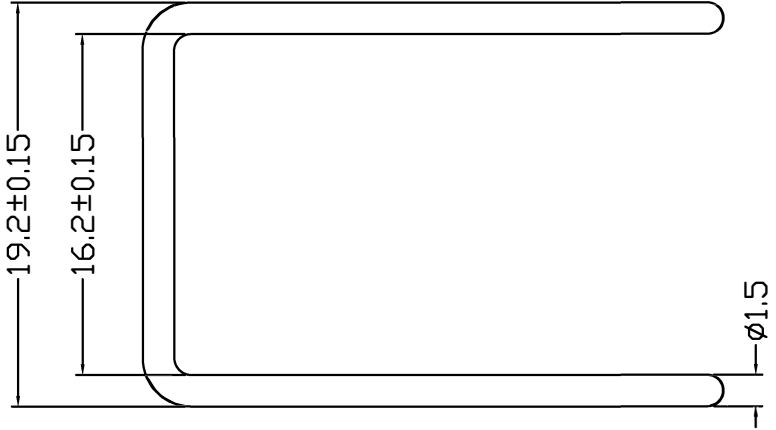


REV	DESCRIPTION	DATE	ORIGINATOR	APPROVED
A	--	--	--	--



ALL DIMENSIONS ARE IN mm		FINISH	Cooling Source [®] THERMAL		
UNLESS NOTED OTHERWISE TOLERANCES: LINEAR ± 0.2		N/A	NAME: Clip		
ANGULAR $\pm 10^\circ$		DRAWN BY Mary.Zhang	MATERIAL SWC	DWG SIZE A4	CUS REV --
DO NOT SCALE DRAWING		CHECKED BY Mary.Zhang	CUSTOMER PART NUMBER N/A	SHEET 4 of 5	CS REV A
THIRD ANGLE PROJECTION		APPROVED BY Michel Gelinat	CS PART NUMBER CSBL-111-Clip	SCALE 1:1	DATE 16-10-2013

4 3 2 1

D

C

B

A

4 3 2 1